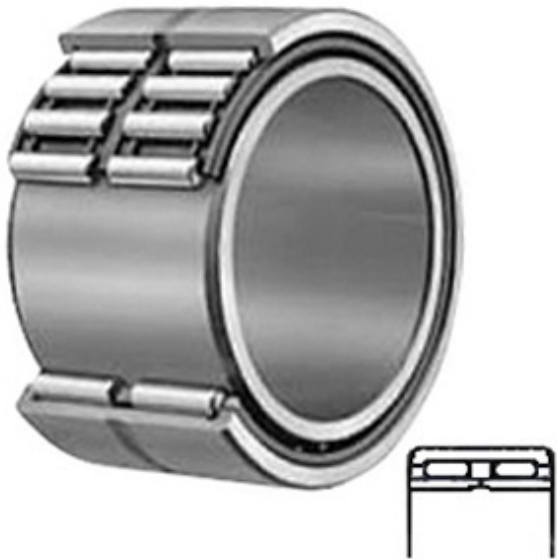




BEARING DRIVESHAFT, INC.



NA-6908 P/5 Bearing 2D drawings and 3D CAD models

1.575 Inch | 40 Millimeter x 2.441 Inch | 62
 Millimeter x 1.575 Inch | 40 Millimeter
CONSOLIDATED BEARING NA-6908 P/5
 Needle Non Thrust Roller Bearings

Bearing No. NA-6908 P/5

Category	Needle Non Thrust Roller Bearings
Inventory	0.0
Manufacturer Name	CONSOLIDATED BEARING
Minimum Buy Quantity	N/A
Weight	0.48
EAN	0644075079198
Product Group	B04144
Rolling Element	Needle Roller Bearing
Component	Complete with Outer and Inner Ring
Enclosure	Open
Self Aligning	No
Retainer	Yes
Number of Rows of Rollers	Double Row
Separable	Inner Ring - Both Sides
Closed End	No
Inch - Metric	Metric
Relubricatable	Yes
Thrust Bearing	No
Long Description	40MM Bore; 62MM Outside Diameter; 40MM Width; Needle Roller Bearing; Complete with Outer and Inner Ring;



BEARING DRIVESHAFT, INC.

	Open; Not Self Aligning; Retainer; Double Row of Rollers; Inner Ring - Both Sides Separable; No
Other Features	Plain Inner Ring Outer Ring with 2 Retaining Rings ABEC 5 Precision Oil Hole
Category	Needle Non Thrust Roller Bearing
UNSPSC	31171512
Harmonized Tariff Code	8482.40.00.00
Noun	Bearing
Keyword String	Needle
Manufacturer URL	http://www.consbrgs.com
Manufacturer Item Number	NA-6908 P/5
Weight / LBS	1.05
D	2.441 Inch 62 Millimeter
B	1.575 Inch 40 Millimeter
d	1.575 Inch 40 Millimeter